

Professional Chocolate Fountain Manufacturer



Hiking Electronic Co.,Ltd

TEL: 86-574-83033284, 86-13857875318

FAX: 86-574-83036951

E-mail: sales@hiking8.com

www.chinachocolatefountain.com

www.allchocolatefountainworld.com



Hot chocolate dispenser



Features:

- 1). Rated motor power(W): 25
- 2). Rated heating power(W): 1200
- 3). Temperature range: 0 - 90C
- 4). Materials: Stainless steel tiers and PC basin
2pcs/ctn.
944pcs/20GP, 2030pcs/40GP, 2346pcs/40HQ
Max. Volume (L): 3

110-230V 50/60Hz 1200W



HC01



HC01A



Chocolate fountain for home



CF12A



CF12B



CF12C



CF12D



CF16A



CF16B



CF14A



CF14B



CF14C



CF14D



CF20A



CF20B

Chocolate fountain for home



CF15A



CF15B



DCF16B



DCF16E

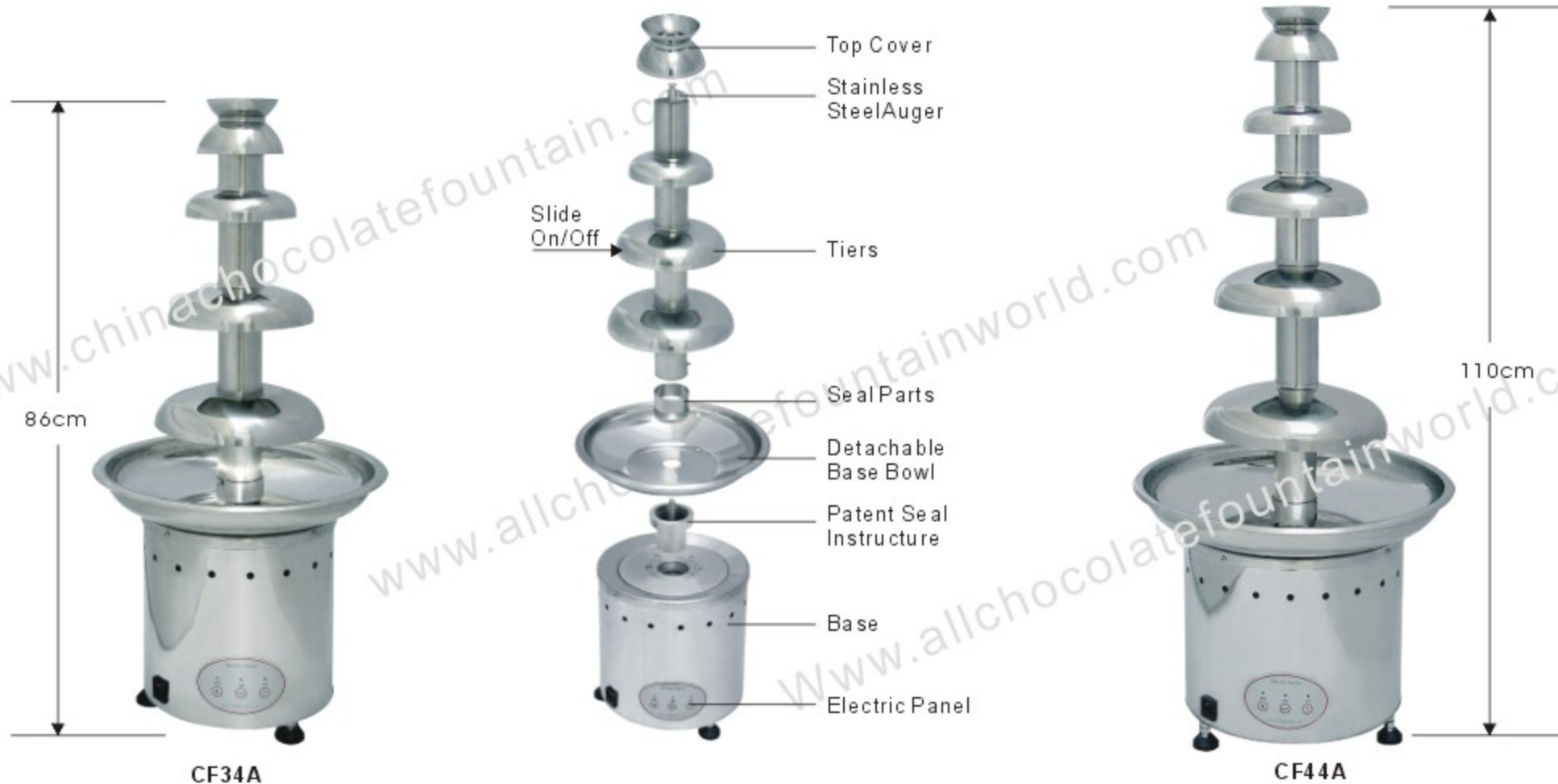


Cf15



CP01

Chocolate fountain for professional



Auger fountain available size						
Item Number	CF21A	CF24A	CF29A	CF34A	CF44A	CF48A
Height(cm)	51	62	71	86	110	120
Diameter(cm)	33	33	40	40	45	45
Tiers	3	3	4	4	5	6
Basin	—	—	Removable	Removable	Removable	Removable

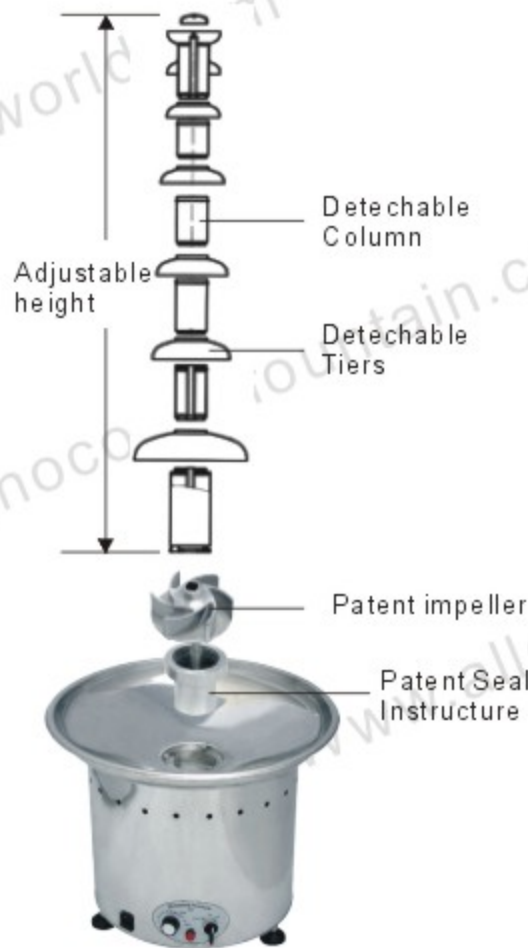
Chocolate fountain for professional



MED ≤ LARGE
One fountain in adjustable size



CF44
110cm H x 50cm W



CF53
135cm H x 50cm W

Chocolate fountain for professional



CF21
51cm H x 33cm W



CF24
62cm H x 33cm W



Cf29
71cm H x 40cm W



CF34
86cm H x 45cm W

Wine fountains



WF03



WF02
71 cm H x 45 cm W
Capacity:7.5L



WF04
60cm H x 45cm W
Capacity:7.5L

Professional